



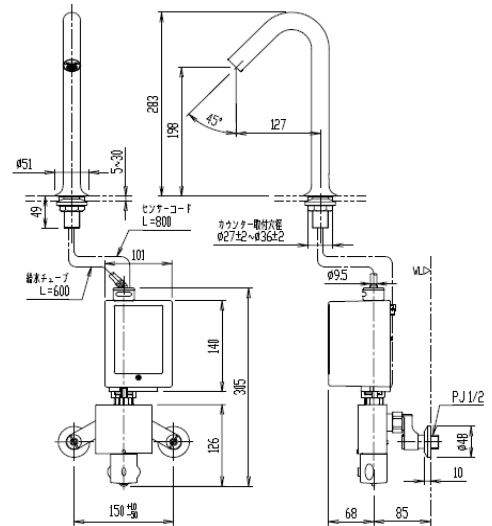
PROJECT		REF		REV	ITEM CODE	
LOCATION		DATE			PAGE	

SANITARY WARE SPECIFICATION SHEET

Item Descriptions	Inax (Japan) Chrome plated deck mounted Infra-red extended sensor thermostatic mixer; DC Supply with 4x AA size alkaline cell battery	Illustration/ Drawing
Dimensions	L127 x W51 x H283 mm	
Model	AM-320HTC	
Finish	Chrome Plated	
Manufacturer	Inax (Japan)	
Source	Acme Sanitary Ware Co. Ltd Mr. Eric Wong/ Mr. Don Yuen	
Contact Tel/Fax	(852) 2388-7171 / (852) 2710-8012	
E-mail	acme@acmesanitary.com.hk	
Website	www.acmesanitary.com.hk	

- Deck Mounted Sensor Thermostatic Mixer
- Not included drain pop-up
- Power: Aqua Energy Hydraulic Generator: DC7V
- Back-up: 4x AA size alkaline cell battery
- Water pressure: 0.05MPa (Flow) to 0.75MPa (Static)
- For thermostatic variants, cold water pressure shall not be lower than hot water pressure
- Ambient Temperature: 0 to 40 degrees Celsius
- Ambient Humidity: Not higher than 90 %RH
- Flow Rate: 2 to 3 L/min (with flow restrictor @2.5 L/min)
- Sensing: Distance-measuring IR sensor
- Sensing Distance: Automatically Adjusted
- Size Of Sensing Area: Dia. 10 mm
- Inlet Connection: Single: R1/2 / Thermostatic: PJ 1/2 screw

仕様	
電源	主電源 DC7V(電源回路)
	バックアップ DC3V(アルカリ乾電池単3形4本)
使用圧力範囲	0.05(流動時)~0.75(静止時)MPa 水圧 ≥ 湯圧
使用水	水道水および飲用可能な井戸水
使用環境温度範囲	0~40℃
使用環境湿度範囲	90%RH以下
適正流量範囲	2~3L/分(2.5L/分定流量弁内蔵)
感知方式	距離測定式赤外線センサー
感知距離	自動設定(感知距離自動調整機能内蔵)
感知エリア幅	約φ10mm



* All information of the above is for the reference only. No prior notice is made if any changes.



PROJECT		REF		REV	ITEM CODE	
LOCATION		DATE			PAGE	

SANITARY WARE SPECIFICATION SHEET

番号	部品品番	部品名	所要数
1	A-11026-10	吐水口ASSY	1
2	A-8216	45° 継手ASSY	1
3	A-11028	機能BOX	1
4	72-1057	クイックファスナー (呼び12.7)	1
5	A-8187	定流量弁ASSY	1
6	A-8186-1	サーモスタットASSY	1
工	KG-4	締付レンチ	1

ベッセル型洗面器と組み合わせて使いやすい高さのタイプも用意しています。

Note:

* All information of the above is for the reference only. No prior notice is made if any changes.